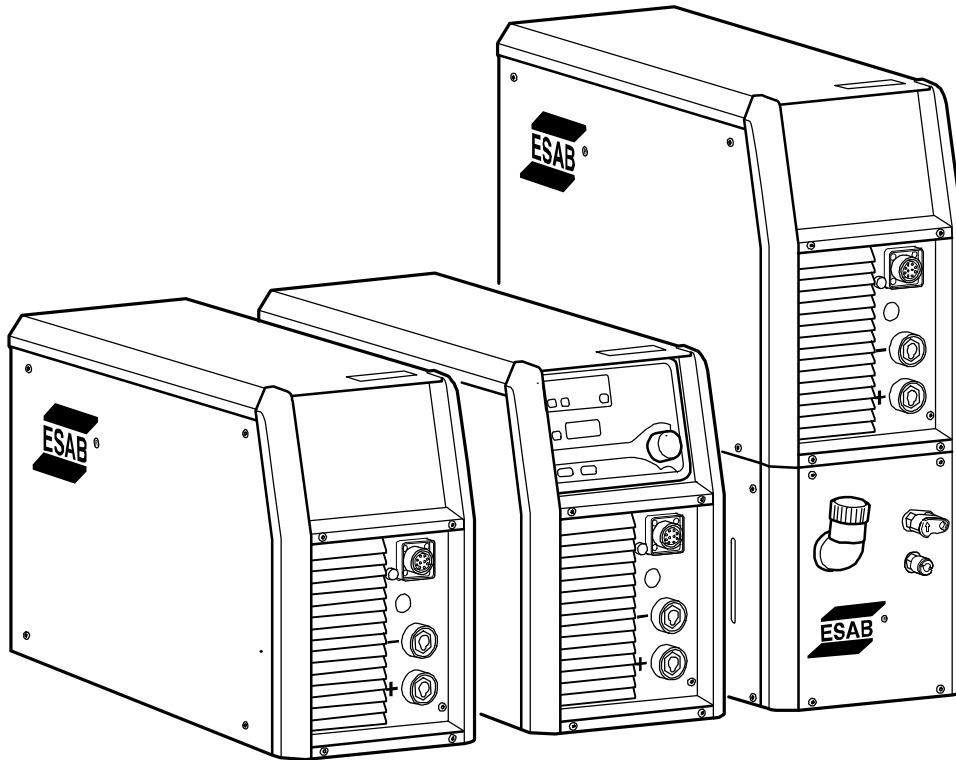


Spare parts list

Edition 20110715



Valid for serial no. 833-xxx-xxx, 950-xxx-xxxx, 039-xxx-xxxx

Ordering no. Product

- 0459 740 882 Origo™ Mig 3001i
- 0459 740 883 Origo™ Mig 3001iw
- 0459 740 884 Origo™ Mig 3001i A24

File name Product

- 0459 839 030 Spare parts list for cooling unit CoolMidi 1000
- 0459 839 024 Spare parts list for control panel Origo™ A24

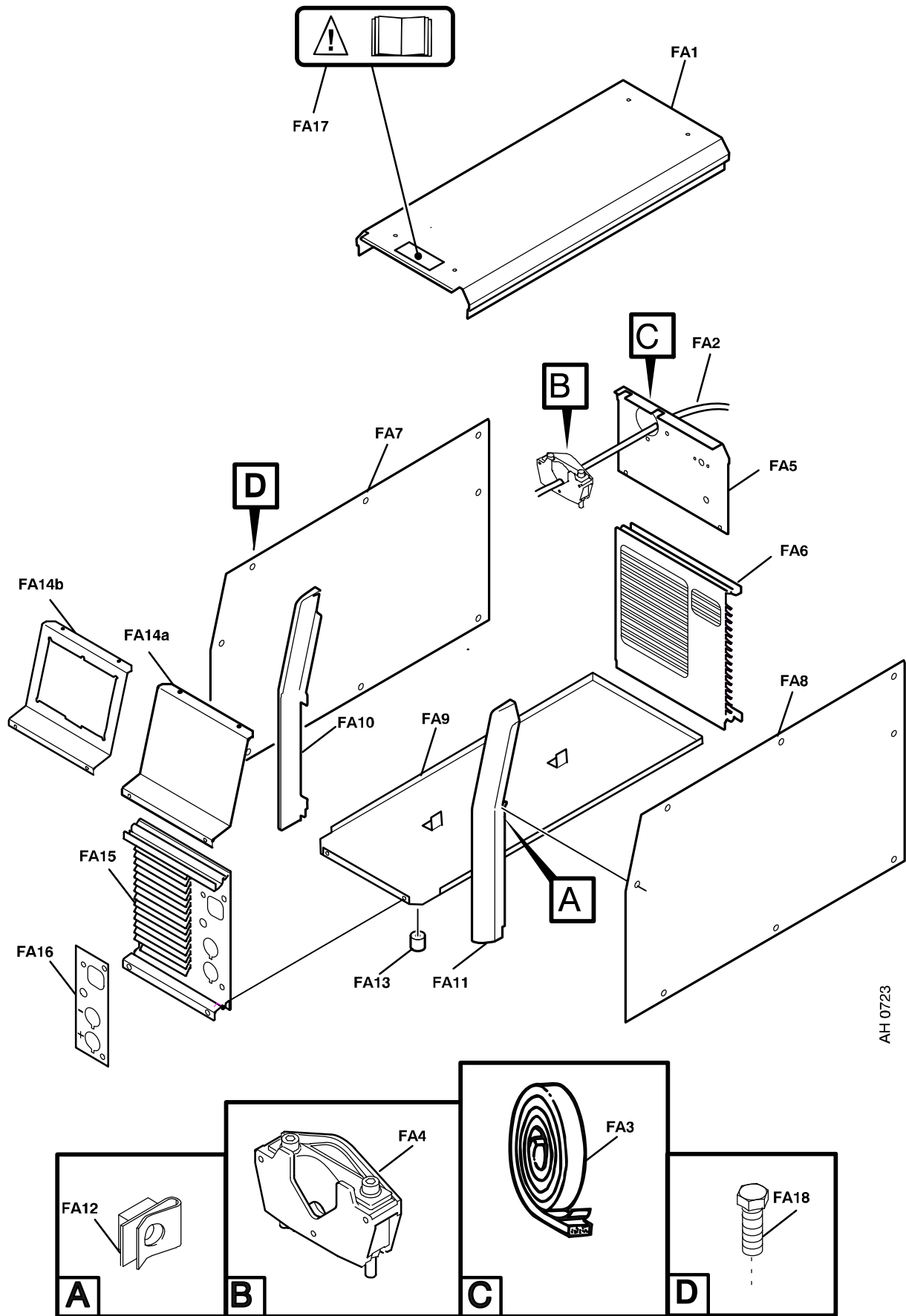
Spare parts are to be ordered through the nearest ESAB agency. Kindly indicate type of unit, serial number, denominations and ordering numbers according to the spare parts list.

Maintenance and repair work should be performed by an experienced person, and electrical work only by a trained electrician. Use only recommended spare parts.

Rights reserved to alter specifications without notice.

Mig 3001i

Item	Qty	Ordering no.	Denomination	Notes
FA1	1	0459 718 003	Cover	
FA2	1	0459 787 880	Mains cable	4x2.5mm ²
FA3	1	0192 526 002	Sealing strip	L=1.3m, to be ordered per metre
FA4	1	0469 950 880	Cable inlet	
	3		Screw RXPT	8-16x12
FA5	1	0459 719 005	Rear plate	
FA6	1	0459 725 011	Profile	Rear
FA7	1	0459 720 002	Side panel	Left
FA8	1	0459 720 001	Side panel	Right
FA9	1	0459 724 002	Bottom plate	
FA10	1	0459 723 002	Front gable	Left
FA11	1	0459 722 002	Front gable	Right
FA12	6	0469 381 002	Fast lock nut	M5
FA13	5	0467 695 001	Rubber foot	
	5		Screw	M6x8
FA14a	1	0459 726 004	Front	
FA14b	1	0459 726 005	Front for panel	
FA15	1	0459 725 010	Profile	Front
FA16	1	0459 789 007	Sticker	
FA17	1	0458 950 001	Sign	
FA18		0194 179 327	Screw MRT ground cutter	M5x12



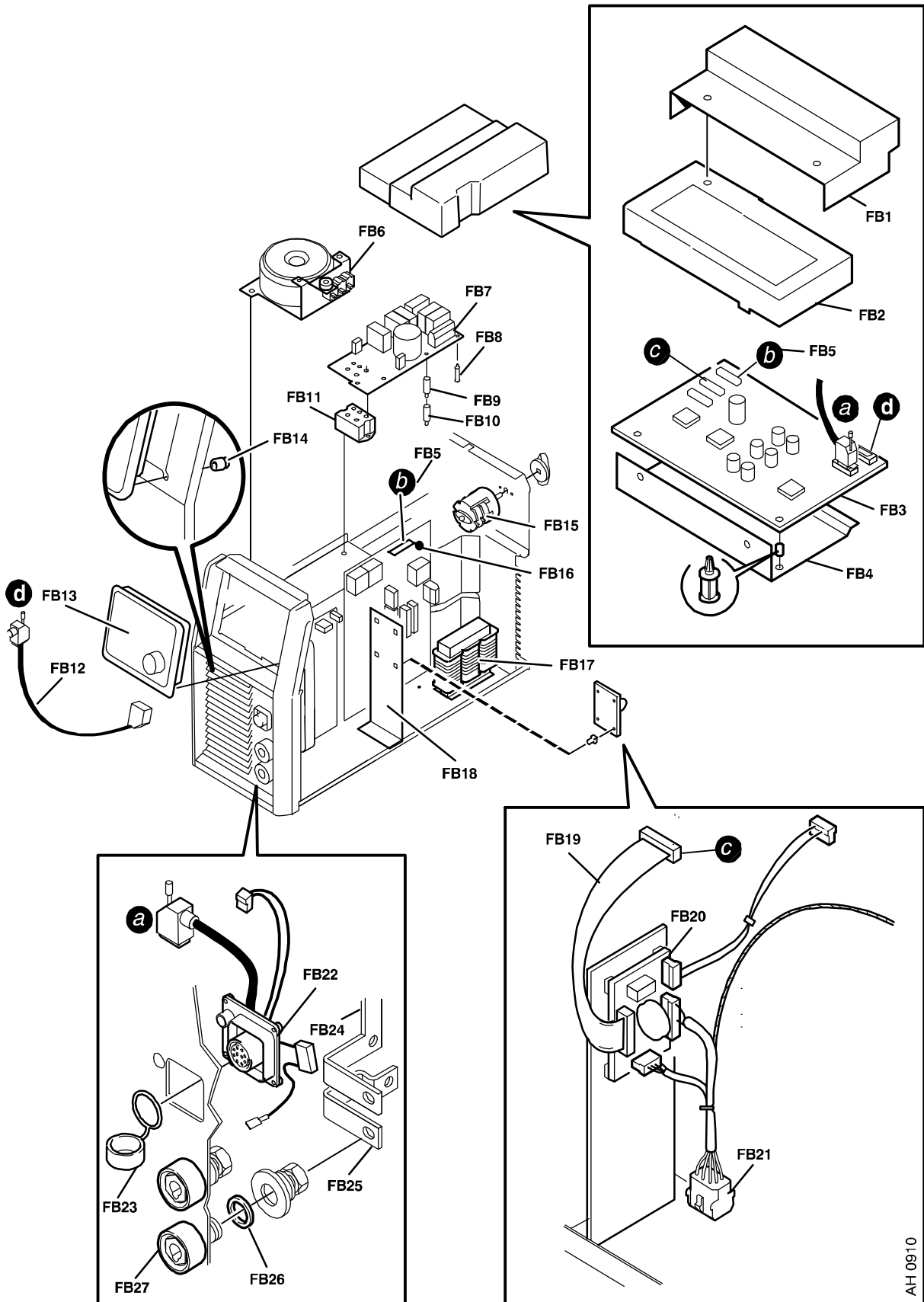
AH 0723

C = component designation in the circuit diagram

Item	Qty	Ordering no.	Denomination	Notes	C
FB1	1	0458 881 002	Protection cap		
FB2	1	0458 312 001	Screen box top		
FB3	1	0487 201 983	Circuit board	Configured for Mig 3001i Replaces 0487 201 981	20AP1
FB4	1	0459 791 001	Screen box bottom		
FB5	1	0193 700 705	Ribbon cable with connectors	14 pole	20XS1, 20XS2
FB6	1	0460 296 004	Control transformer		2TC1
-	3		Screw	M5x12	
-	1	-	Fuse	0.5 A slow	2FU1
-	1	-	Fuse	4 A slow	2FU3
-	1	-	Fuse	3.15 A slow	2FU2
-	1	-	Fuse	10 A	2FU4
FB7	1	0487 622 880	Circuit board	EMC	2AP1
FB8	1		Spacer	22.5R	
FB9	2		Distance screw	M4x12	
FB10	2		Spacer self tapping		
FB11	1		Rectifier bridge	Included in item FB51	
FB12	1	0458 357 882	Cable MMC	9 pole	20XP1, 20XP3
FB13	1	0459 773 887	MMC module	Panel A24. See separate spare parts list	
FB14	4	0458 544 001	Insulation nut		
FB15	1	0455 158 001	Main switch with knob		
FB16			Power module	See page 6.	
FB17	1	0460 119 002	Primary inductor	18 A	3L1
FB18	1	0460 674 001	Connection plate for relay board		
FB19	1	0193 700 709	Ribbon cable and connectors	26 pole	20XS30, 20XS31
FB20	1	0487 637 780	Printed circuit board	Relay board	20AP2
FB21	1	0460 746 880	Cable assembly for cooler		
FB22	1	0459 901 881	Panel socket	10 pole	
FB23	1	0455 516 001	Protection cap		
FB24	1	0459 747 001	Bar	Minus	
FB25	1	0459 747 002	Bar	Plus	
FB26	2	0466 325 001	Gasket		
FB27	2	0160 362 881	Cable connector	OKC, socket	XS1, XS2

SPARE PARTS SETS

Item	Ordering no.	Denomination	Notes
FB51	0458 920 881	Rectifier set	Includes item FB11 rectifier bridge, thermal compound, roller and mounting instruction.
	0458 910 002	Roller handle	For the roller in the spare parts set above.



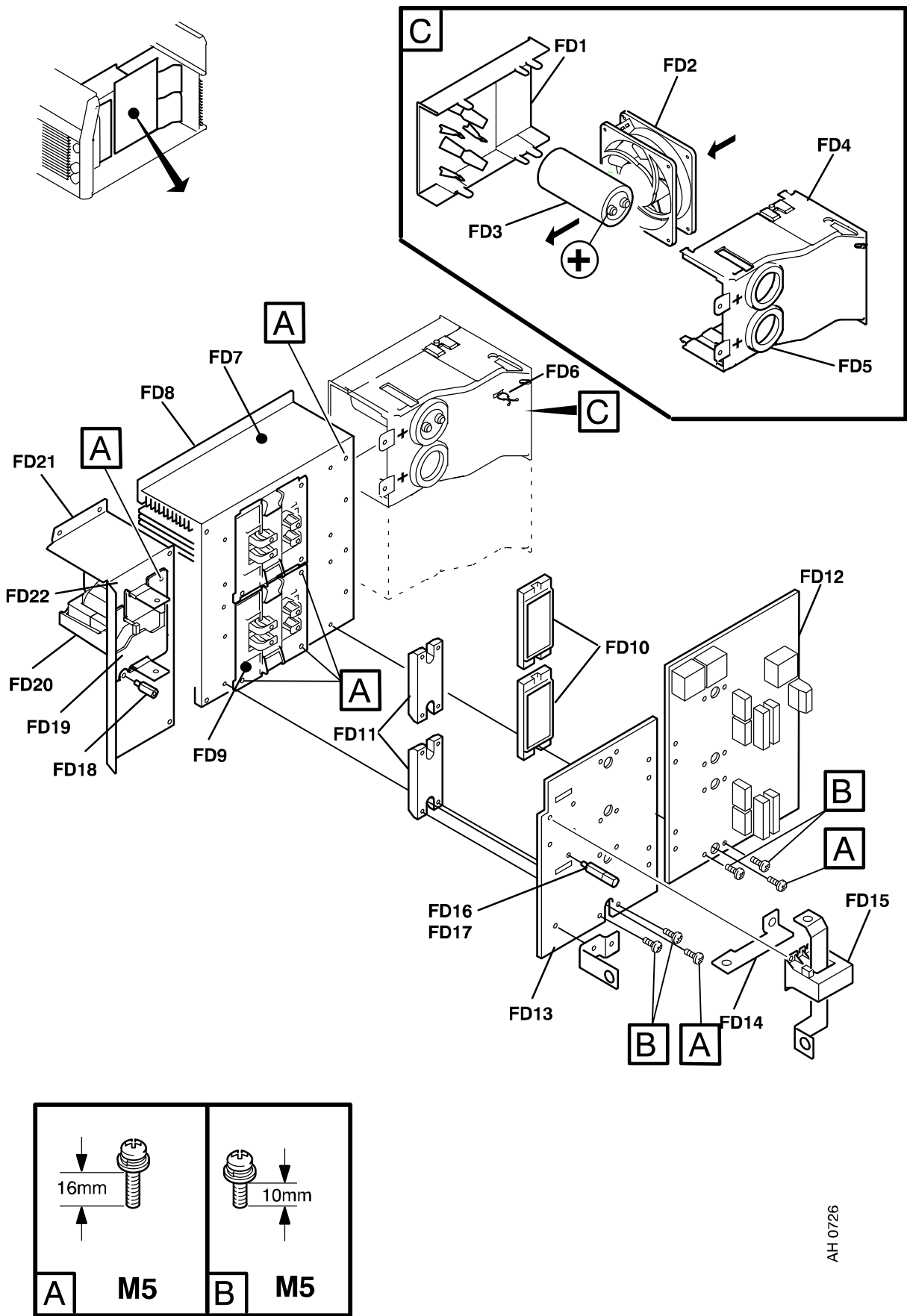
AH 0910

C = component designation in the circuit diagram

Item	Qty	Ordering no.	Denomination	Notes	C
			Power module	Complete item FD1 - FD22	
FD1	2	0459 744 001	Air guide rear		
FD2	2	0467 801 002	Fan with calbe		15EV1, 15EV2
FD3	2	0194 158 002	Smoothing capacitor		15C1, 15C2
FD4	2	0459 743 001	Air guide front		
FD5	2		Blind plug		
FD6	2		Cable saddle assembly		
FD7	1	0459 728 001	Heat sink		
FD8	1	0192 526 002	Sealing strip	0.525m, to be ordered per metre	
FD9	2	0459 736 880	Transformer		15TM1, 15TM2
FD10	2		Primary module	Included in item FD50	IC3, IC8
FD11	2		Diode module	Included in item FD51	15D1, 15D2
FD12	1		Circuit board	Power board, Included in item FD50	15AP1
FD13	1	0487 692 880	Circuit board	Secondary board, replaces 0487 325 880	15AP2
FD14	1	0459 794 001	Bar middle		
FD15	1	0458 063 001	Current sensor		15AP3
FD16	1		Distance screw	M5x20	
FD17	1		Spacer screw	M5x12	
FD18	1		Spacer screw	M5x15	
FD19	2		Sealing		
FD20	1	0459 751 880	Inductor secondary		15L3
FD21	1	0459 746 001	Bracket heatsink		
FD22	1	0191 193 121	Tape	L=0.50m, to be ordered per metre	

SPARE PARTS SETS

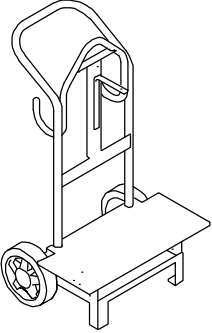
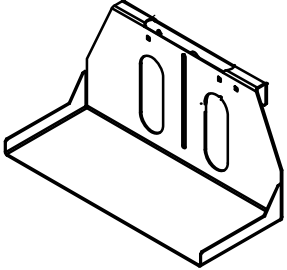
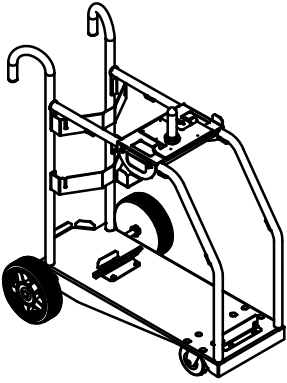

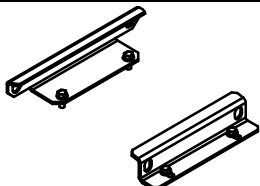
Item	Ordering no.	Denomination	Notes
FD50	0459 384 882	Power board set	Includes item FD10, FD12, screws, thermal compound and roller
FD51	0459 385 882	Diode module set	Includes item FD11, screws, thermal compound and roller.
	0458 910 002	Roller handle	For the roller in the spare parts set above.

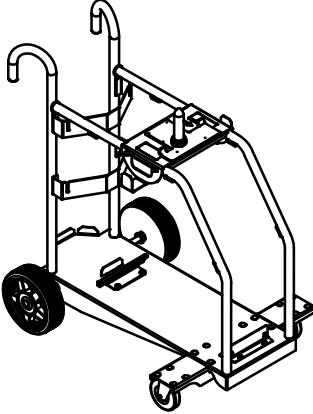
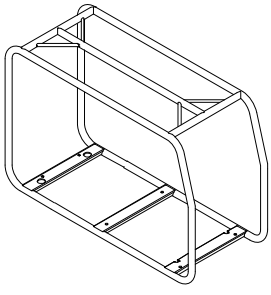
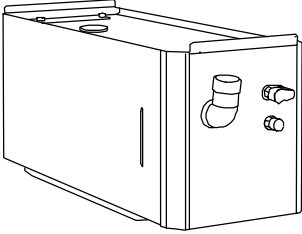
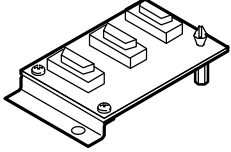
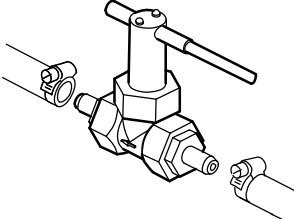
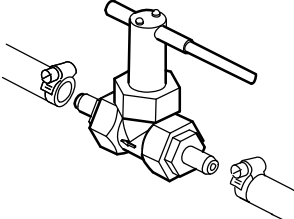
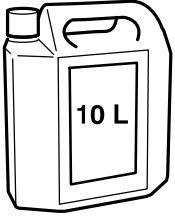


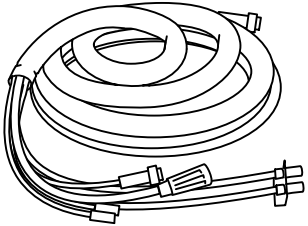



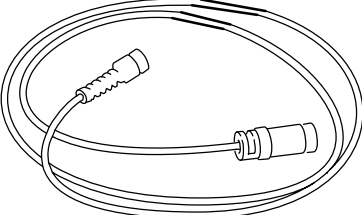
AH 0726

Mig 3001i

Accessories

	Trolley with two wheels 0460 564 880
	Feeder platform for trolley with two wheels 0460 815 880
	Trolley with four wheels 0460 565 880
	Insulating bushing for guide pin, included in trolley 0278 300 401
	Mounting brackets 0460 911 880

	<p>Stabilizer kit for counter balance 0460 946 880</p>
	<p>Protection frame 0460 459 880 <i>Only for air version</i></p>
	<p>Cooling unit CoolMidi 1000 0460 490 880</p>
	<p>Connection kit for cooling unit 0460 685 881 <i>valid before serial no. 039-xxx-xxxx</i></p> <p>Connection kit for cooling unit 0460 685 880 <i>valid from serial no. 039-xxx-xxxx</i></p>
	<p>Installation kit water return flow guard 0461 203 880</p>
	<p>Water flow guard 0.7 l/min 0456 855 881</p>
	<p>Coolant (Ready mixed) 50% water and 50% mono-ethylene glycol (10 l) 0007 810 012</p>

	<p>Connection set 70mm²</p> <p>1.7 m 0459 528 780</p> <p>5 m 0459 528 781</p> <p>10 m 0459 528 782</p> <p>15 m 0459 528 783</p> <p>25 m 0459 528 784</p> <p>35 m 0459 528 785</p> <p>Connection set water 70mm²</p> <p>1.7 m 0459 528 790</p> <p>5 m 0459 528 791</p> <p>10 m 0459 528 792</p> <p>15 m 0459 528 793</p> <p>25 m 0459 528 794</p> <p>35 m 0459 528 795</p>
	<p>Remote control unit MTA1 CAN 0459 491 880</p> <p>MIG/MAG: wire feed speed and voltage MMA: current and arc force</p> <p>TIG: current, pulse and background current</p>
	<p>Remote control unit AT1 CAN 0459 491 883</p> <p>MMA and TIG: current</p>
	<p>Remote control unit AT1 CF CAN 0459 491 884</p> <p>MMA and TIG: rough and fine setting of current.</p>
	<p>Remote control cable 10 pole - 4 pole</p> <p>5 m 0459 960 880</p> <p>10 m 0459 960 881</p> <p>25 m 0459 960 882</p>

Information on PSF welding torches can be found in separate brochures.

